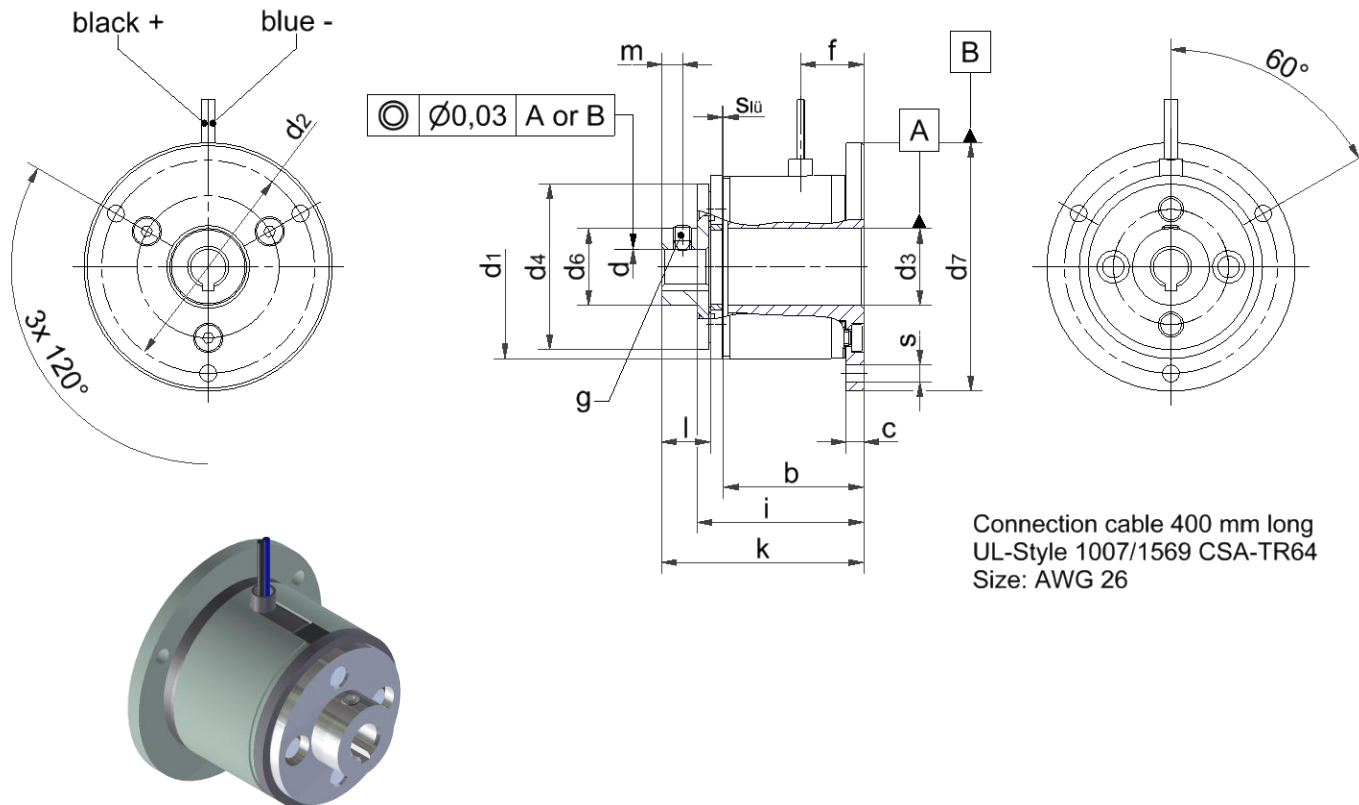


Permanent Magnet Brake Type 14.120.__.101



Connection cable 400 mm long
UL-Style 1007/1569 CSA-TR64
Size: AWG 26

Size	M _{min} [Nm]	b	c	d H7			d ₁ h ₁₀	d ₂
03	0,6	23,7	3	5	6	8	31	36
05*								

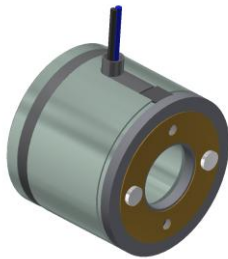
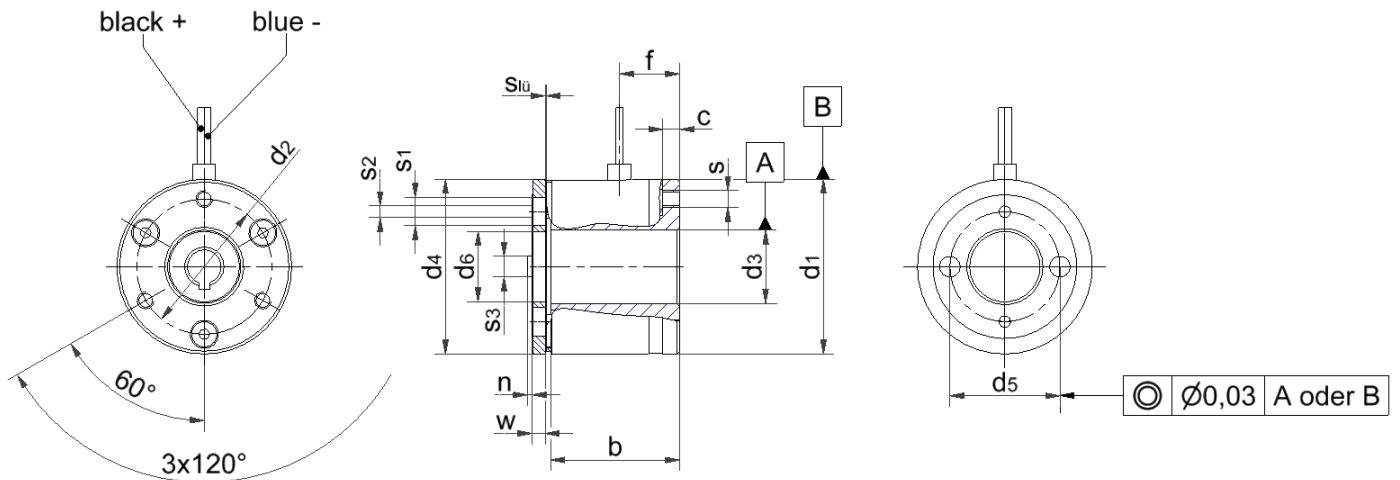
Size	d ₃ H ₁₀	d ₄	d ₆	d ₇ h ₁₀	f	g DIN 916	i
03	13	28	13	42	10,7	M3	28,15
05*							

Size	k	l	m	s	Slü	P _{20°C} [W]
03	34,15	8	3,5	2,9	0,15+0,1/-0,05	10
05*						

Dimensions in mm
Standard voltage 24V +5%/-10% according to VDE 0580
Temperature class B (130°C)
* Size 05: tbd

M.0004_e

Permanent Magnet Brake Type 14.120.__.203



Connection cable 400 mm long
UL-Style 1007/1569 CSA-TR64
Size: AWG 26

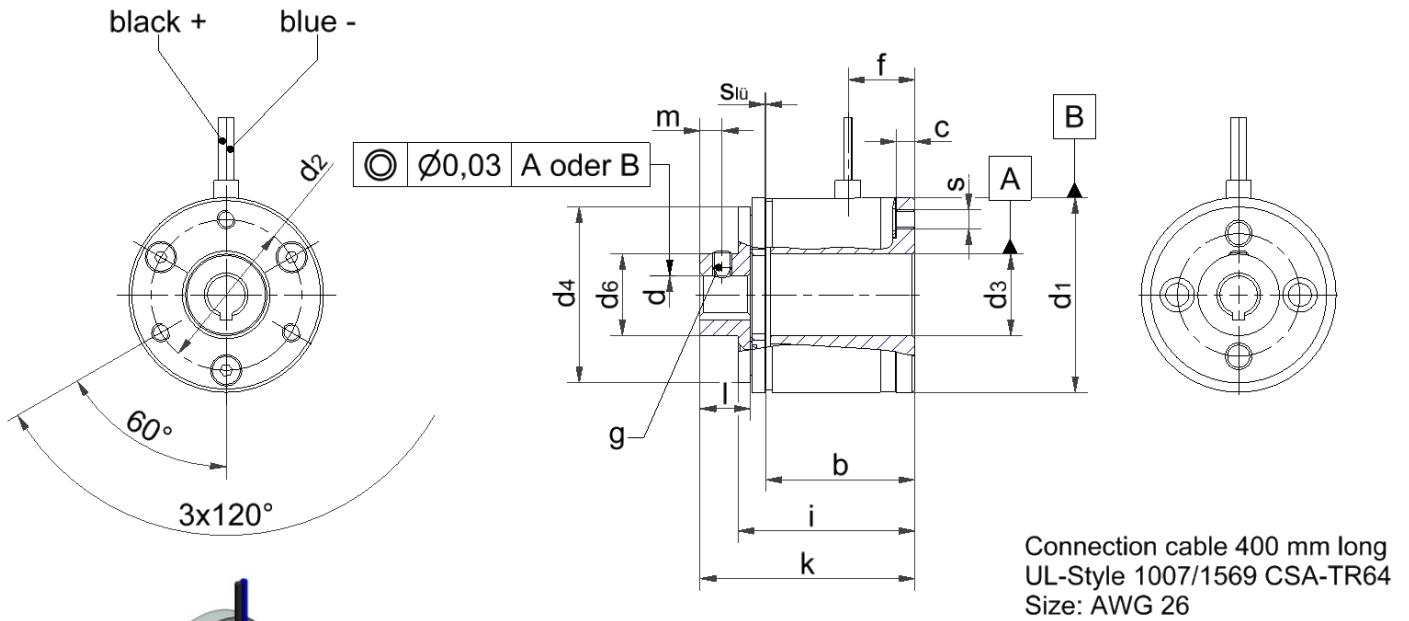
Size	M _{min} [Nm]	b	c	d ₁ h ₁₀	d ₂
03	0,6	23,7	3	31	24
05*					

Size	d ₃ H ₁₀	d ₄	d ₅	d ₆	f	n	w
03	13	31	19,5	12,5	10,7	0,8	2,3
05*							

Size	s	s ₁	s ₂	s ₃	S _{lü}	P _{20°C} [W]
03	M3	2 x 5	2 x 2,1	2 x 3,7	0,15+0,1/-0,05	10
05*						

Dimensions in mm
Standard voltage 24V +5%/-10% according to VDE 0580
Temperature class B (130°C)
* Size 05: tbd

Permanent Magnet Brake Type 14.120.__.201



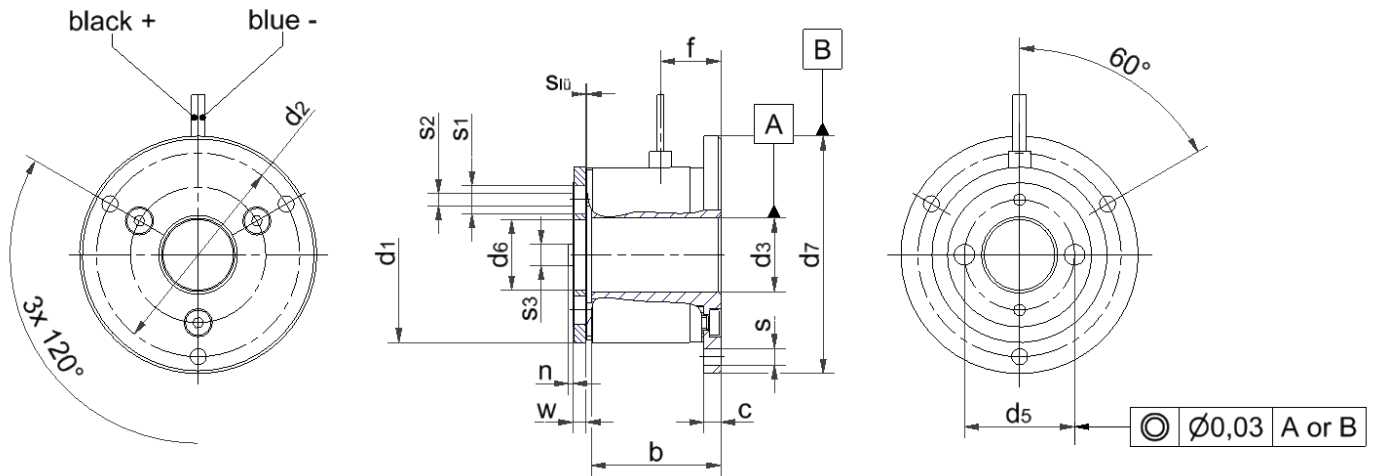
Size	M _{min} [Nm]	b	c	d H7			d ₁ h ₁₀	d ₂
03	0,6	23,7	3	5	6	8	31	24
05*								

Size	d ₃ H ₁₀	d ₄	d ₆	f	i	k	l	m
03	13	28	13	10,7	28,15	34,15	8	3,5
05*								

Size	s	Slü	g	P _{20°C}
			DIN 916	[W]
03	M3	0,15+0,1/-0,05	M3	10
05*				

Dimensions in mm
 Keyway to DIN 6885/1 – P9
 Standard voltage 24V +5%/-10% according to VDE 0580
 Temperature class B (130°C)
 * Size 05: tbd

Permanent Magnet Brake Type 14.120...103



Connection cable 400 mm long
UL-Style 1007/1569 CSA-TR64
Size: AWG 26

Size	M _{min} [Nm]	b	c	d ₁ h ₁₀	d ₂
03	0,6	23,7	3	31	36
05*					

Size	d ₃ H ₁₀	d ₅	d ₆	d ₇ h ₁₀	f	n	w
03	13	19,5	12,5	42	10,7	0,8	2,3
05*							

Size	s	s ₁	s ₂	s ₃	Slü	P _{20°C} [W]
03	2,9	2 x 5	2 x 2,1	2 x 3,7	0,15+0,1/-0,05	10
05*						

Dimensions in mm
Standard voltage 24V +5%/-10% according to VDE 0580
Temperature class B (130°C)
* Size 05: tbd

M.0006_e